



RF Probe Model: TPD110V Series(GSGSG)

Typical Insertion Loss (GSGSG-150um pitch)



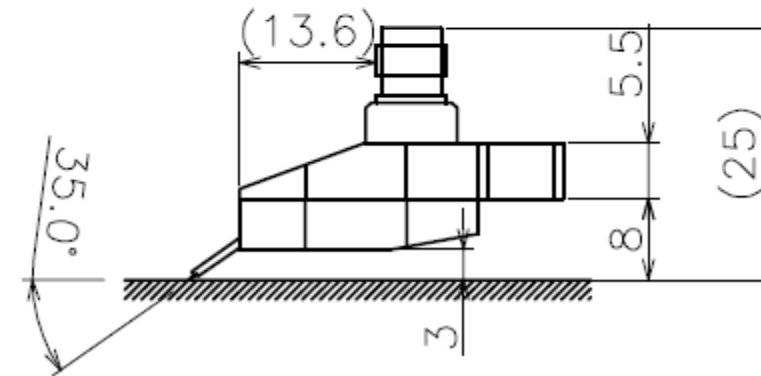
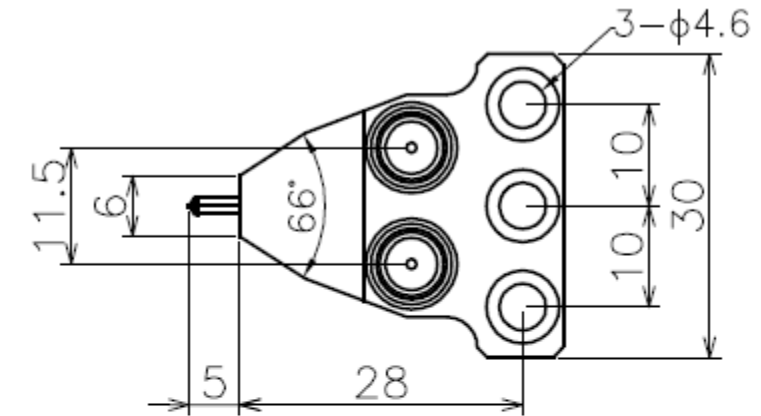
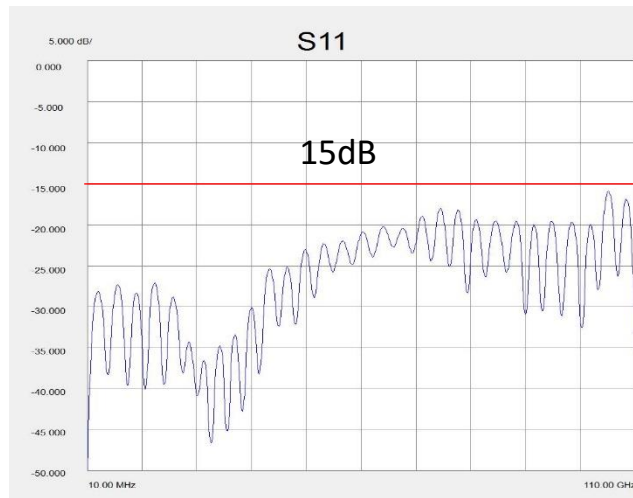
Electric Performance

| | |
|-----------------------------------|--------------|
| Characteristic impedance | 50 ohm |
| Frequency range | DC to 110GHz |
| Insertion loss (Typ. GSGSG-150μm) | -1.5dB |
| Return Loss (Typ. GSGSG-150μm) | -15dB |
| Cross Talk (Typ. GSGSG-150μm) | -20 to -30dB |
| DC voltage | 100V |
| DC current | 1A |
| RF Power @ 10GHz max | 5W |
| Contact resistance on Au | 0.05 ohm |

Mechanical Performance

| | |
|---------------------------------------------------------------------------|----------------|
| Connector | 1 mm (J) |
| Recommended Pitch | 50 to 150μm |
| Above 150um pitch performance is NOT good, but we can accept order | |
| Configuration | GSGSG |
| Probe Material | Nickel Alloy |
| Body Material | Aluminum Alloy |
| Contact pressure @2mil Over travel | 20g |
| Contact Cycle (Auto Probe Mode: OD 1mil) | 1M |
| XY position error | Max 10um |
| Planarity error | Max 10um |
| Scribing mark (Width) | 30um |

Typical Return Loss (GSGSG-150um pitch)



Unit: mm
Tolerance: +/-0.25